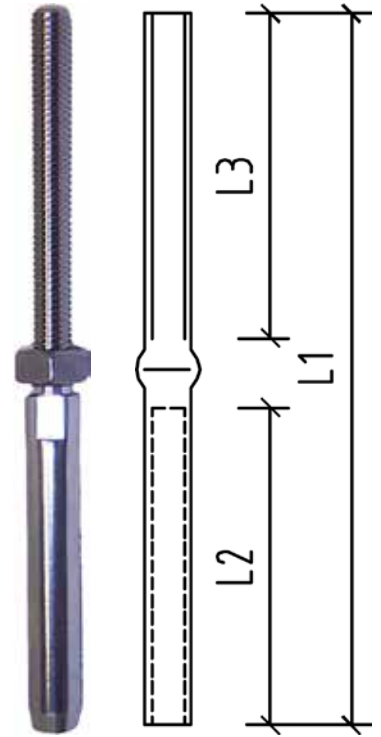


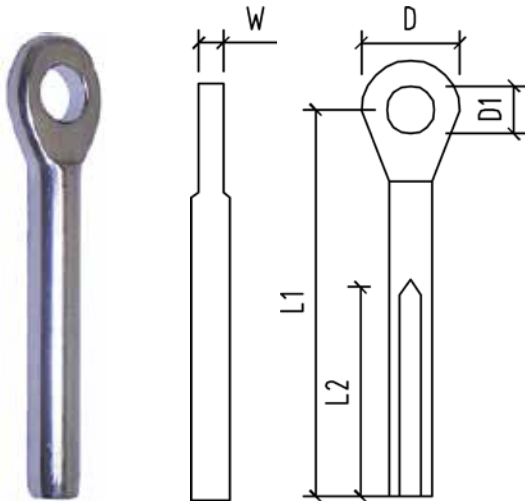
All care is taken to ensure measurements are correct at time of printing. However changes may occur so it is advised to confirm sizes if dimensions are critical.

SWAGE STUD (THREADED TERMINAL)

CODE	WIRE DIAMETER METRIC	WIRE DIAMETER IMPERIAL	THREAD	L1	L2	L3 THREAD
SS-7801-225	2.4	3/32"	M5	81	30	40
SS-7801-225L	2.4	3/32"	M5 Left	81	30	40
SS-7801-02M	2.4	3/32"	M6	86	32	40
SS-7801-03L		1/8"	M6 Left	91	40	40
SS-7801-03M		1/8"	M6	91	40	40
SS-7801M-03M	3		M6	97	40	40
SS-7801M-03ML	3		M6 Long	118	40	75
SS-7801-03ML		1/8"	M6 Long	118	40	75
SS-7801-03MY		1/8"	M6	100	52	42
SS-7801-305		1/8"	M5	91	40	40
SS-7801-020		1/8"	M5	59	33	22.5
SS-7801M-020	3		M5	58.7	34	22.5
SS-7801M-305M	3		M5	91	40	40
SS-7801-305L		1/8"	M5 Left	90	40	40
SS-7801-04L	4		M8 Left	118	43	57
SS-7801-04M	4		M8	120	47	60
SS-7801-04ML	4		M8 Long	143	47	90
SS-7801-046	4		M6	116	46	50
SS-7801-046L	4		M6 Left	116	46	50
SS-7801-05L		3/16"	M8Left	121	58	57
SS-7801-05M		3/16"	M8	121	53	60
SS-7801-510		3/16"	M10	129	56	60
SS-7801-05ML		3/16"	M10 Long	177	58	115
SS-7801M-05	5		M8	121	58	60
SS-7801M-610	6		M10	164	67	85
SS-7801M-06M	6		M12	162	67	78
SS-7801-610		1/4"	M10	164	67	85
SS-7801-06M		1/4"	M12	162	67	78
SS-7801-06ML		1/4"	M12 Long	222	67	143
SS-7801-128	8		M12	180	85	83
SS-7801-08M	8		M16	215	80	112
SS-7801-1638		3/8"	M16	215	90	105
SS-7801-2038		3/8"	M20	215	90	105
SS-7801M-1610	10		M16			
SS-7801M-2010	10		M20	215	91	106
SS-7801M-2012	12		M20	245	120	118
SS-7801-2012		1/2"	M20	245	120	118
SS-7801M-2414	14		M24	335	165	125
SS-7801M-2416	16		M24	355	160	170

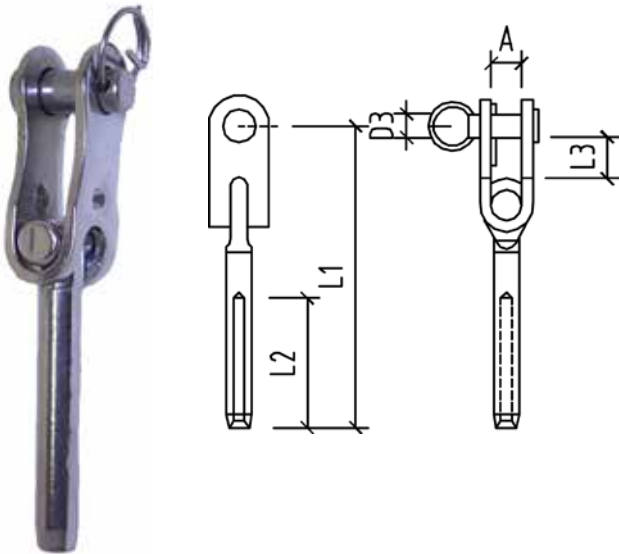


Wire Size	D	D1
	0.2	-0.05
3/32"	2.8	5.5
3mm	3.3	6.35
1/8"	3.5	6.35
4mm	4.4	7.5
3/16"	5.1	9
5mm	5.3	9
7/32"	5.8	10.8
6mm	6.5	12.5
1/4"	6.8	12.5
8mm	8.4	16
3/8"	10	17.8
10mm	10.5	17.8
12mm	12.5	21.4
1/2"	13.5	21.4
14mm	14.8	25
16mm	16.5	28



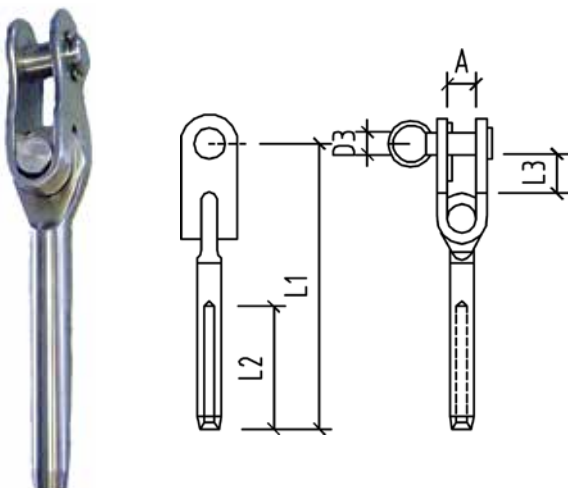
EYE TERMINAL

CODE	WIRE MET	DIA IMP	L1	L2	D1	D	W
SS-7802-025	2.5	3/32"	49	32	5.5	12.5	2.5
SS-7802M-03	3		54.5	40	6-5	14	4
SS-7802-03		1/8"	54.5	40	6.5	14	4
SS-7802-04	4		68	48	8.5	17	4.5
SS-7802-05		3/16"	74.25	54	10.5	22	5.7
SS-7802M-05	5		74.25	54	10.5	22	5.7
SS-7802-06	6		94	64	12.2	25	8
SS-7802-06		1/4"	94	64	13.2	25	8
SS-7802-08	8		118	85	14.7	32	10
SS-7802-10		3/8"	140	93	16.3	36	10.5
SS-7802M-10	10		140	93	16.3	36	10.5
SS-7802M-12	12		182	107	19.3	41	15
SS-7802-12		1/2"	182	110	19.3	41	15



TOGGLE TERMINAL - T STYLE

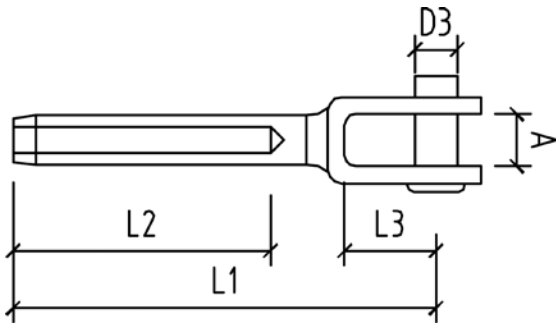
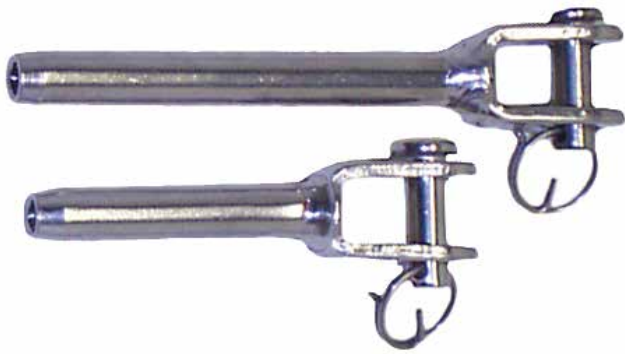
CODE	WIRE MET	DIA IMP	A	D3	L1	L2	L3
SS-7805-05		3/16"	12.5	9	92	51	15
SS-7805-064		1/4"	14.3	12	85	51	14
SS-7805-10		3/8"	20.5	19	163	90	26.5



NEW: TOGGLE TERMINAL - EYE STYLE

CODE	WIRE MET	DIA IMP	A	L1	L2	L3	D3
SS-7805-08E	8		13	164	80	20.5	14
SS-7805-10E		3/8"	18	204	91	37.5	16
SS-7805M-10E	10		22	231	91	37.5	16
SS-7805M-12E	12		22.5	231	110	50	19
SS-7805-16E	16	5/8"	28.5	325	165	65	25

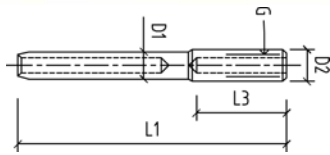




* Available in economy range of fittings. Please consult our sales department for pricing.
 # Indicates mini forks, both mini forks are pressed with HEX3 dies.

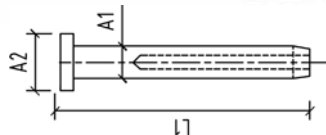
FORK TERMINAL

CODE	WIRE MET	DIA IMP	D3	L1	L2	L3	A
#SS-7803X-025	2.5	3/32"	5	45	28	11.5	7
#SS-7803-225	2.5	3/32"	5	67	40	11.5	7
#SS-7803-905		1/8"	5	45	28	11.5	7
*SS-7803-305		1/8"	5	67	40	11.5	7
*SS-7803M-305	3		5	67	40	12	7
SS-7803-03		1/8"	6	65	32	13	8
SS-7803M-03	3		6	65	32	13	8
SS-7803-406	4		6	73	45	15	8
SS-7803-04	4		8	77	46	15	11
SS-7803-05		3/16"	9	87	51	15	11
SS-7803M-05	5		9	87	51	18	11
SS-7803M-06	6		12	106	63	27	15
SS-7803-06		1/4"	12	106	63	27	15
SS-7803-08	8		14	145	82.5	29	15
SS-7803-0812	8		12	148	80.7	27.7	15
SS-7803-10		3/8"	16	150	91	37	20
SS-7803M-10	10		16	150	91	37	20
SS-7803M-12	12		19	175	106.5	37	20
SS-7803-12		1/2"	19	175	106.5	37	20
SS-7803M-14	14		25	285	165	52	30
SS-7803M-16	16		25	285	165	52	30



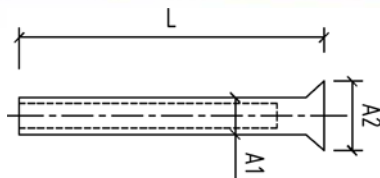
INTERNAL THREAD TERMINALS

CODE	WIRE DIA	L1	D1	D2	L3	G
SS-7811-503	1/8"	88	6.35	8	35	M5
SS-7811-604	5/32"	95	7.5	8	35	M6



FLAT HEAD TERMINALS

CODE	WIRE SIZE	L1	A2	A1
SS-7840-03Z	1/8"	48.5	10	6.35
SS-7840-04	5/32"	59	12	7.5



CONE HEAD TERMINALS - 304 GRADE

CODE	WIRE SIZE	L	A2	A1
SS-7841-03	1/8"	48.5	10	6.35