

STAINLESS STEEL SPIGOTS

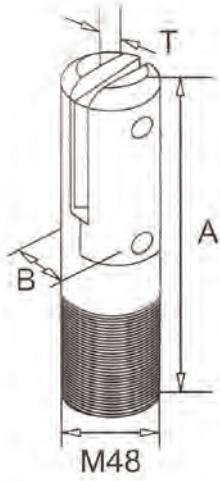
NEW

AISI 316

NEW



ROUND SPIGOT / CEMENT MOUNT



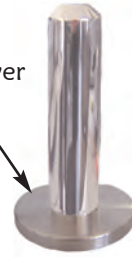
Threaded for mounting



Glass Inserts

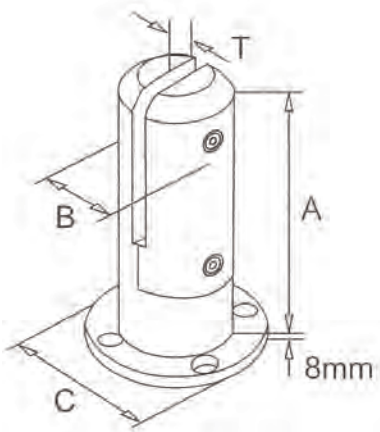


Optional Base Cover



Code	Suit Glass Width (mm)	A (mm)	B (mm)
SR-G050212MP	10/12	264	48

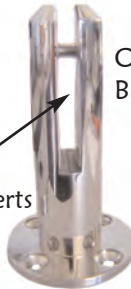
ROUND SPIGOT WITH BASE PLATE / BOLT MOUNT



Allen Head bolts for securing glass panels.



Glass Inserts

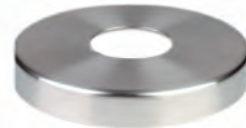
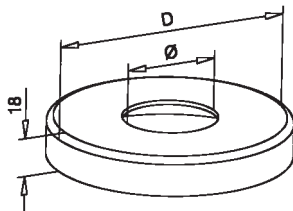


Optional Base Cover



Code	Suit Glass Width (mm)	A (mm)	B (mm)	C (mm)
SR-G050348MP	10/12	172	48	100

Base Cover



CODE	Ø	D	FINISH
AN-140512048MP	50	Ø 105	MP
AN-140513048MP	50	Ø 125	MP

*Please note; Base plates are optional when using spigots.

G
L
A
S
S
C
L
A
M
P
S

GRADE
316